

# ARCADIA CUSTOM

## SERIES 5520 MULTI-SLIDE GLASS DOOR

### (WZ3) (IMPACT)



ARCADIA CUSTOM  
9280 E OLD VAIL RD,  
TUCSON, AZ 85747

PH: (520) 284-2061 FX: (520) 349-1964

TITLE: SERIES 5520 MULTI-SLIDE  
GLASS DOOR  
(WZ3) (IMPACT)

GENERAL NOTES & DESIGN PRESSURE

PREPARED BY:  
BUILDING DROPS, INC.  
398 E. DANIA BEACH BLVD., STE. 338  
DANIA BEACH, FL 33004  
PH: (954) 399-8478  
FAX: (954) 744-4738  
WEB: www.buildingdrops.com

**GENERAL NOTES:**

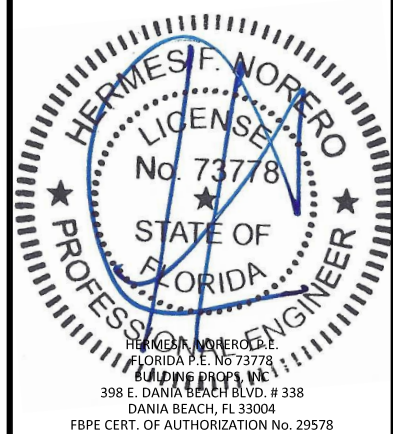
- THE PRODUCT SHOWN HEREIN IS DESIGNED AND MANUFACTURED TO COMPLY WITH THE CURRENT FLORIDA BUILDING CODE (FBC), EXCLUDING HVHZ AND HAS BEEN EVALUATED ACCORDING TO THE FOLLOWING:
  - AAMA/WDMA/CSA 101/I.S.2/A440-17
  - ASTM E1886-13a
  - ASTM E1996-17
- ADEQUACY OF THE EXISTING STRUCTURAL CONCRETE/MASONRY AND 2X FRAMING AS A MAIN WIND FORCE RESISTING SYSTEM CAPABLE OF WITHSTANDING AND TRANSFERRING APPLIED PRODUCT LOADS TO THE FOUNDATION IS THE RESPONSIBILITY OF THE ENGINEER OR ARCHITECT OF RECORD FOR THE PROJECT OF INSTALLATION.
- 1X AND 2X BUCKS (WHEN USED) SHALL BE DESIGNED AND ANCHORED TO PROPERLY TRANSFER ALL LOADS TO THE STRUCTURE. BUCK DESIGN AND INSTALLATION IS THE RESPONSIBILITY OF THE ENGINEER OR ARCHITECT OF RECORD FOR THE PROJECT OF INSTALLATION.
- THE INSTALLATION DETAILS DESCRIBED HEREIN ARE GENERIC AND MAY NOT REFLECT ACTUAL CONDITIONS FOR A SPECIFIC SITE. IF SITE CONDITIONS CAUSE INSTALLATION TO DEVIATE FROM THE REQUIREMENTS DETAILED HEREIN, A LICENSED ENGINEER OR ARCHITECT SHALL PREPARE SITE SPECIFIC DOCUMENTS FOR USE WITH THIS DOCUMENT.
- APPROVED IMPACT PROTECTIVE SYSTEM **IS NOT REQUIRED** ON THIS PRODUCT IN AREAS REQUIRING IMPACT RESISTANCE IN WOND ZONE 3 OR LESS.
- APPROVED IMPACT PROTECTIVE SYSTEM **IS REQUIRED** ON THIS PRODUCT IN AREAS REQUIRING IMPACT RESISTANCE IN WOND ZONE 4.
- DOOR FRAME MATERIAL: 6063-T5 ALUMINUM
- GLASS MEETS THE REQUIREMENTS OF ASTM E 1300 GLASS CHARTS. SEE SHEET 6 FOR GLAZING DETAIL.
- DESIGNATIONS "X" AND "O" STAND FOR THE FOLLOWING:
  - X: OPERABLE PANEL
  - O: FIXED PANEL
- APPROVED CONFIGURATION:
  - 3 TRACK: XXO, XOx, OXX, OXO, XOx
  - 2 TRACK: XO,OX

TABLE OF CONTENTS	
SHEET	SHEET DESCRIPTION
1	GENERAL NOTES & DESIGN PRESSURE
2	ELEVATION
3	ANCHOR LAYOUT
4	DESIGN PRESSURE TABLE
5	VERTICAL SECTIONS
6	HORIZONTAL SECTIONS & GLAZING DETAIL
7	INSTALLATION NOTES & ANCHOR DETAILS

DESIGN PRESSURE RATING	
DESIGN PRESSURE	MISSILE IMPACT RATING
SEE SHEET 4	LARGE AND SMALL MISSILE IMPACT RESISTANT

REMARKS	BY	DATE

THE INSTALLATION DETAILS DESCRIBED HERE IN ARE GENERIC AND MAY NOT REFLECT ACTUAL CONDITIONS FOR A SPECIFIC SITE. IF SITE CONDITIONS CAUSE INSTALLATION TO DEVIATE FROM THE REQUIREMENTS DETAILED HEREIN, A LICENSED ENGINEER OR ARCHITECT SHALL PREPARE SITE SPECIFIC DOCUMENTS FOR USE WITH THIS DOCUMENT.



**FL38489**

DATE: 04.07.21

DWG. BY: AC      CHK. BY: HFN

SCALE: NTS

DWG. #: ACWD012

SHEET:

1 OF 7

4/19/2021 2:38 PM s:\projects\arcadia custom\fb-c-21-0306 - fbc submittal - series 5520 aluminum sliding glass door.dwg\acwd012.dwg


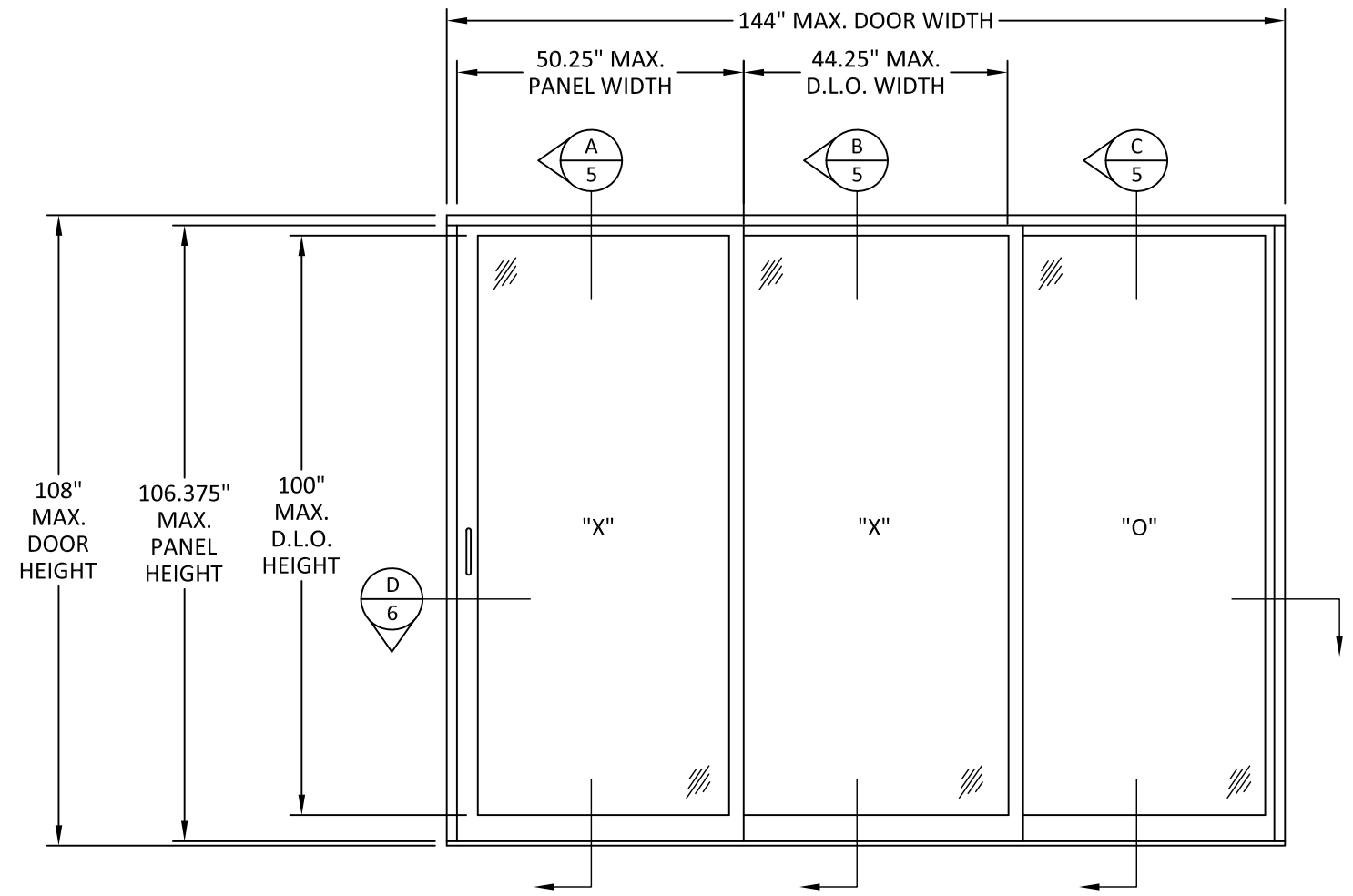


ARCADIA CUSTOM  
9280 E OLD VAIL RD,  
TUCSON, AZ 85747

PH: (520) 284-2061 FX: (520) 349-1964

**TITLE:** SERIES 5520 MULTI-SLIDE  
GLASS DOOR  
(WZ3) (IMPACT)  
ELEVATION

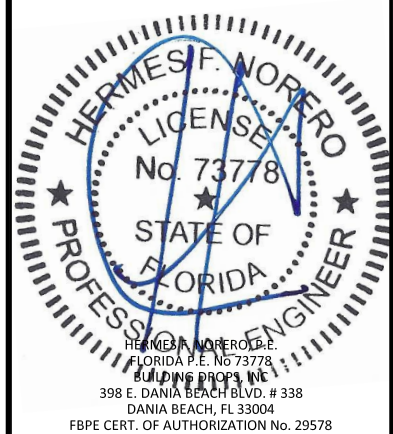
**PREPARED BY:** BUILDING DROPS, INC.  
398 E. DANIA BEACH BLVD., STE. 338  
DANIA BEACH, FL 33004  
PH: (954) 399-8478  
FAX: (954) 744-4738  
WEB: www.buildingdrops.com

**ELEVATION**  
EXTERIOR VIEW - 3 TRACK

REMARKS	BY	DATE

THE INSTALLATION DETAILS DESCRIBED HERE IN ARE GENERIC AND MAY NOT REFLECT ACTUAL CONDITIONS FOR A SPECIFIC SITE. IF SITE CONDITIONS CAUSE INSTALLATION TO DEVIATE FROM THE REQUIREMENTS DETAILED HEREIN, A LICENSED ENGINEER OR ARCHITECT SHALL PREPARE SITE SPECIFIC DOCUMENTS FOR USE WITH THIS DOCUMENT.



**FL38489**

DATE: 04.07.21

DWG. BY: AC      CHK. BY: HFN

SCALE: NTS

DWG. #: ACWD012

SHEET:

2  
OF 7

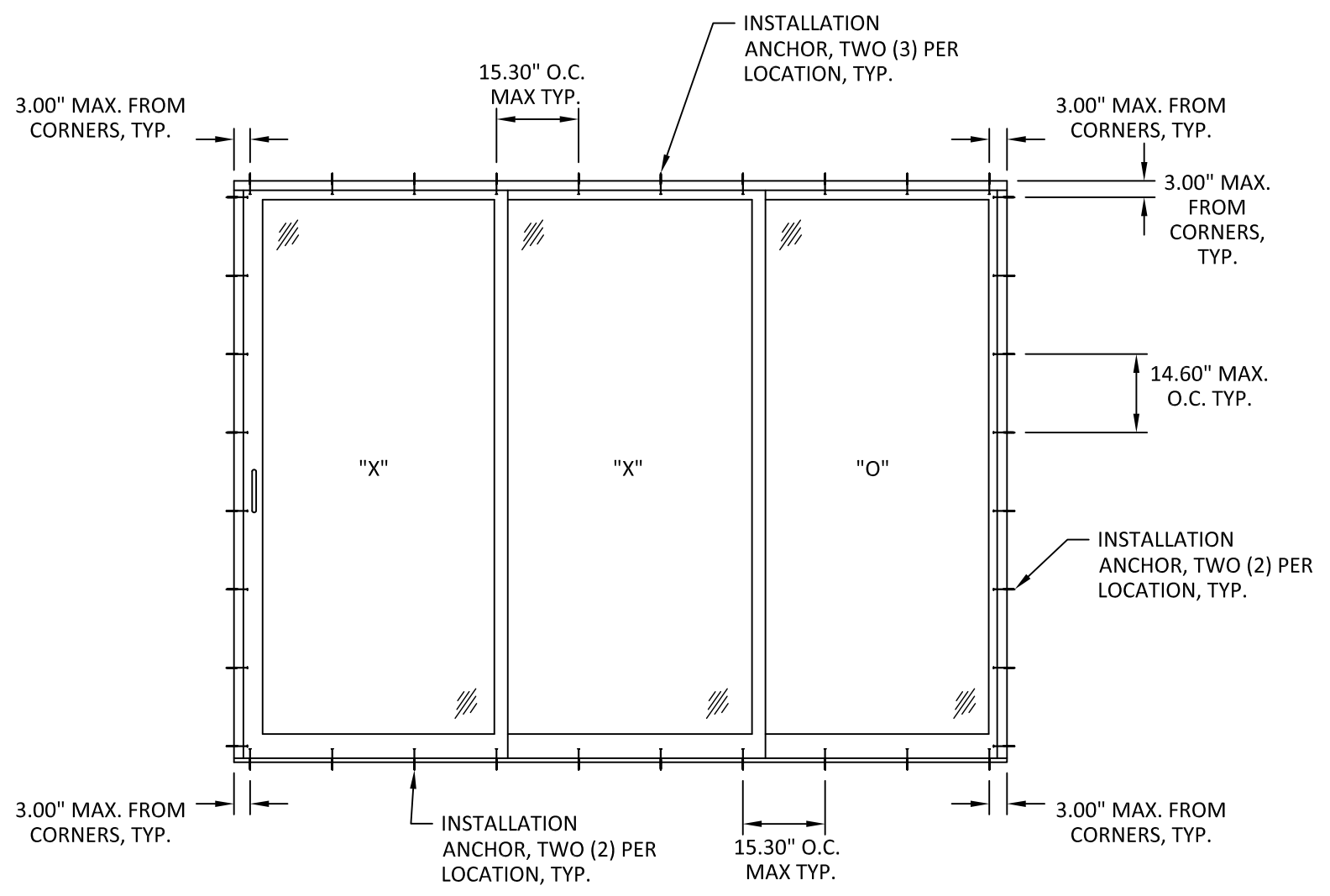


ARCADIA CUSTOM  
9280 E OLD VAIL RD,  
TUCSON, AZ 85747

PH: (520) 284-2061 FX: (520) 349-1964

TITLE: SERIES 5520 MULTI-SLIDE  
GLASS DOOR  
(WZ3) (IMPACT)  
ANCHOR LAYOUT

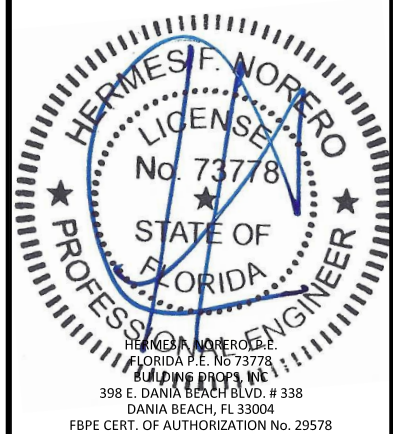
PREPARED BY:  
**BUILDING DROPS, INC.**  
398 E. DANIA BEACH BLVD., STE. 338  
DANIA BEACH, FL 33004  
PH: (954) 399-8478  
FAX: (954) 744-4738  
WEB: www.buildingdrops.com



### ANCHOR LAYOUT

REMARKS	BY	DATE

THE INSTALLATION DETAILS DESCRIBED HERE IN ARE GENERIC AND MAY NOT REFLECT ACTUAL CONDITIONS FOR A SPECIFIC SITE. IF SITE CONDITIONS CAUSE INSTALLATION TO DEVIATE FROM THE REQUIREMENTS DETAILED HEREIN, A LICENSED ENGINEER OR ARCHITECT SHALL PREPARE SITE SPECIFIC DOCUMENTS FOR USE WITH THIS DOCUMENT.



## FL38489

DATE: 04.07.21

DWG. BY: AC      CHK. BY: HFN

SCALE: NTS

DWG. #: ACWD012

SHEET:

# 3

OF 7

4/19/2021 2:38 PM

s:\projects\arcadia custom\fbc-21-0306 - fbc submittal - series 5520 aluminum sliding glass door.dwg\acwd012.dwg

# DESIGN PRESSURE TABLE

## COMPARATIVE ANALYSIS



ARCADIA CUSTOM  
9280 E OLD VAIL RD,  
TUCSON, AZ 85747

PH: (520) 284-2061 FX: (520) 349-1964

DESIGN PRESSURE TABLE (PSF)													
NOMINAL PANEL WIDTH (INCHES)													
	30	33	36	39	42	45.00	48	50	54	57	60	63	
PANEL HEIGHT (INCHES)	84	65.0	65.0	65.0	65.0	65.0	65.0	65.0	59.9	56.4	53.3	50.5	
	87	65.0	65.0	65.0	65.0	65.0	65.0	65.0	59.9	56.4	53.3	-	
	90	65.0	65.0	65.0	65.0	65.0	65.0	65.0	59.9	56.4	-	-	
	93	65.0	65.0	65.0	65.0	65.0	65.0	65.0	59.9	56.4	-	-	
	96	65.0	65.0	65.0	65.0	65.0	65.0	65.0	59.9	-	-	-	
	99	65.0	65.0	65.0	65.0	65.0	65.0	65.0	-	-	-	-	
	102	65.0	65.0	65.0	65.0	65.0	65.0	65.0	-	-	-	-	
	106	65.0	65.0	65.0	65.0	65.0	65.0	65.0	-	-	-	-	
	108	65.0	65.0	65.0	65.0	65.0	65.0	64.3	-	-	-	-	
	111	65.0	65.0	65.0	65.0	65.0	62.3	59.0	-	-	-	-	
	114	65.0	65.0	65.0	65.0	60.9	57.3	-	-	-	-	-	
	117.00	65.0	65.0	64.7	60.1	56.2	52.9	-	-	-	-	-	
	120	65.0	64.9	59.8	55.6	52.0	-	-	-	-	-	-	
	123	65.0	60.2	55.5	51.5	48.1	-	-	-	-	-	-	
	126	61.2	55.9	51.5	47.8	44.7	-	-	-	-	-	-	
	129	56.9	52.0	47.9	44.5	-	-	-	-	-	-	-	
	132	53.1	48.5	44.7	41.4	-	-	-	-	-	-	-	
	135	49.6	45.3	41.7	38.7	-	-	-	-	-	-	-	
	138	46.4	42.3	39.0	-	-	-	-	-	-	-	-	
	141	43.5	39.7	36.5	-	-	-	-	-	-	-	-	
144	40.8	37.2	34.2	-	-	-	-	-	-	-	-		

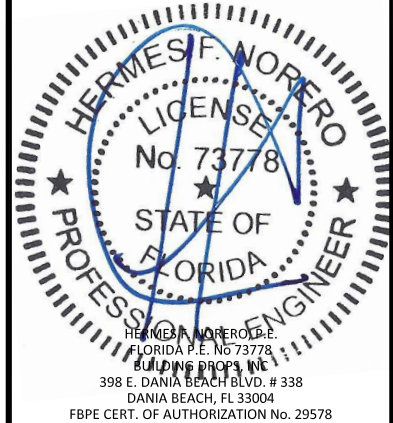
TITLE: SERIES 5520 MULTI-SLIDE  
GLASS DOOR  
(WZ3) (IMPACT)  
DESIGN PRESSURE TABLE

PREPARED BY:  
**BUILDING DROPS, INC.**  
398 E. DANIA BEACH BLVD., STE. 338  
DANIA BEACH, FL 33004  
PH: (954) 399-8478  
FAX: (954) 744-4738  
WEB: www.buildingdrops.com



REMARKS	BY	DATE

THE INSTALLATION DETAILS DESCRIBED HERE IN ARE GENERIC AND MAY NOT REFLECT ACTUAL CONDITIONS FOR A SPECIFIC SITE. IF SITE CONDITIONS CAUSE INSTALLATION TO DEVIATE FROM THE REQUIREMENTS DETAILED HEREIN, A LICENSED ENGINEER OR ARCHITECT SHALL PREPARE SITE SPECIFIC DOCUMENTS FOR USE WITH THIS DOCUMENT.



**FL38489**

DATE: 04.07.21

DWG. BY: AC      CHK. BY: HFN

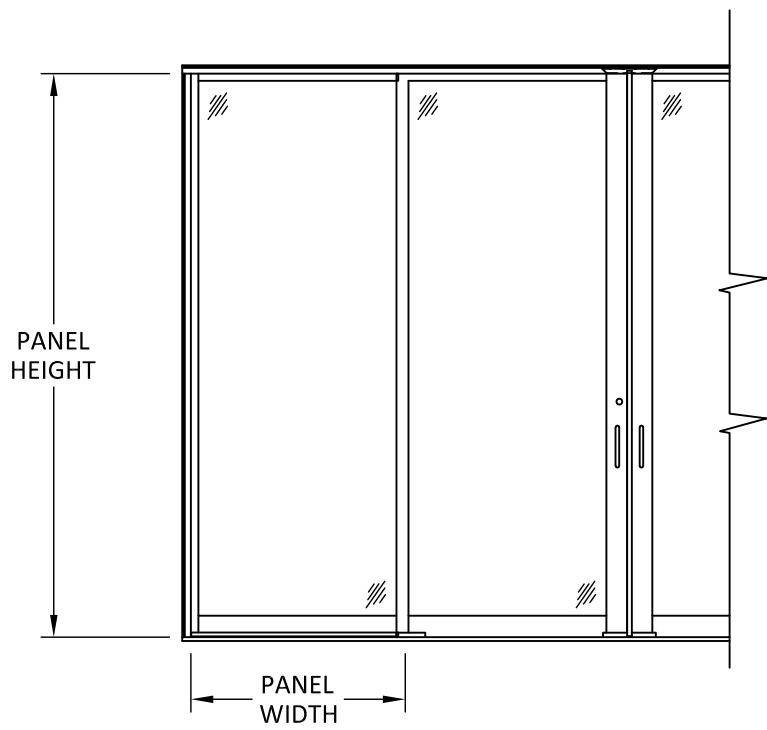
SCALE: NTS

DWG. #: ACWD012

SHEET:

4

OF 7



4/19/2021 2:38 PM  
s:\projects\arcadia custom\fbc-21-0306 - fbc submittal - series 5520 aluminum sliding glass door.dwg\acwd012.dwg

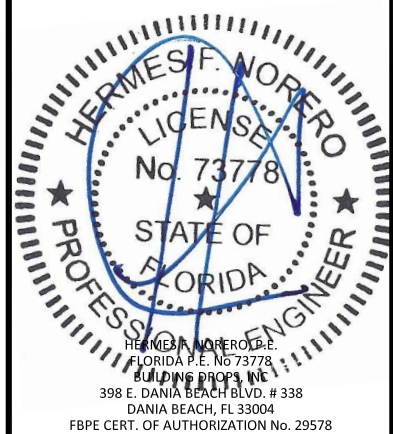
TITLE: **SERIES 5520 MULTI-SLIDE  
GLASS DOOR  
(WZ3) (IMPACT)  
VERTICAL SECTIONS**

PREPARED BY: **BUILDING DROPS, INC.**  
398 E. DANIA BEACH BLVD., STE. 338  
DANIA BEACH, FL 33004  
PH: (954) 399-8478  
FAX: (954) 744-4738  
WEB: www.buildingdrops.com



REMARKS	BY	DATE

THE INSTALLATION DETAILS DESCRIBED HERE IN ARE GENERIC AND MAY NOT REFLECT ACTUAL CONDITIONS FOR A SPECIFIC SITE. IF SITE CONDITIONS CAUSE INSTALLATION TO DEVIATE FROM THE REQUIREMENTS DETAILED HEREIN, A LICENSED ENGINEER OR ARCHITECT SHALL PREPARE SITE SPECIFIC DOCUMENTS FOR USE WITH THIS DOCUMENT.



**FL38489**

DATE: **04.07.21**

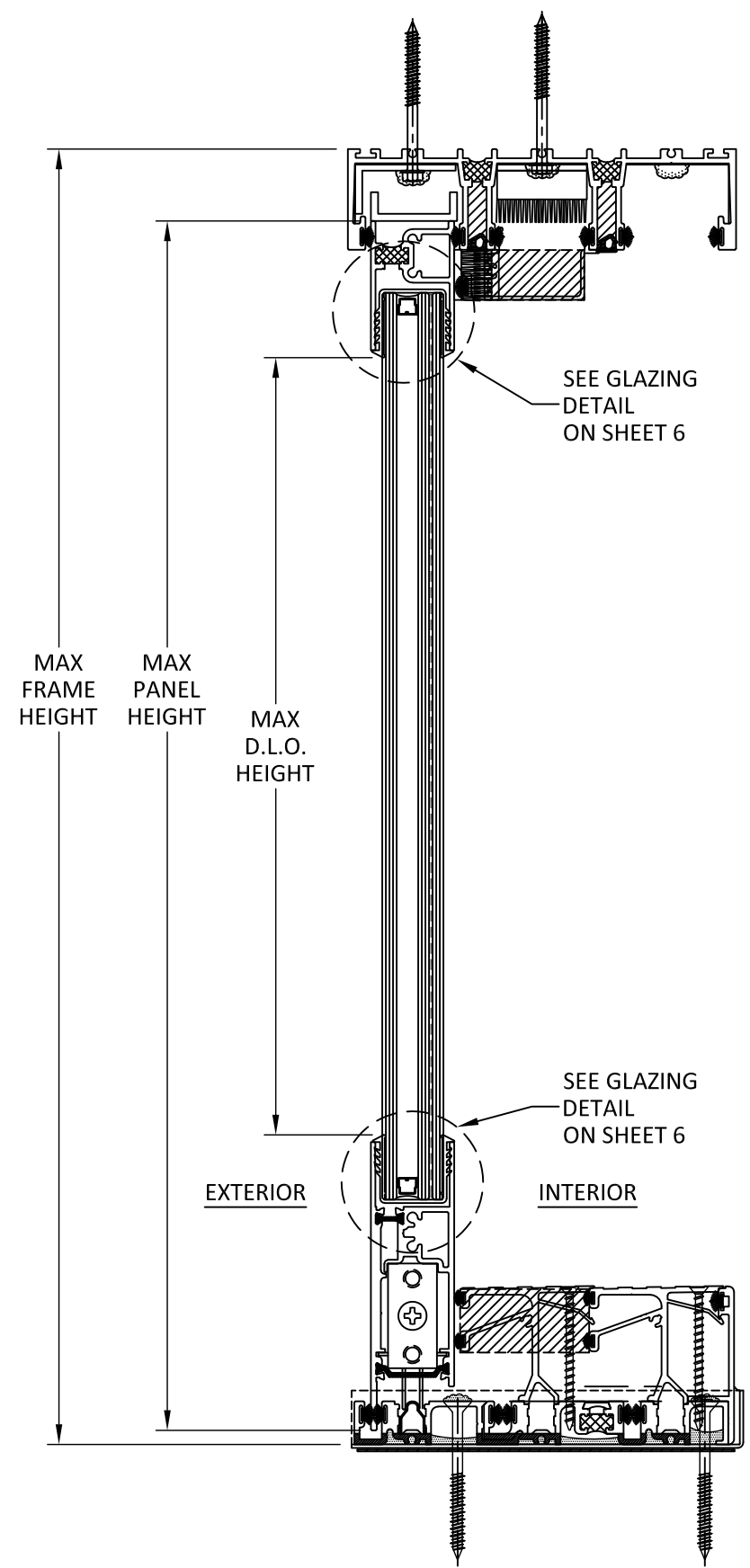
DWG. BY: **AC**      CHK. BY: **HFN**

SCALE: **NTS**

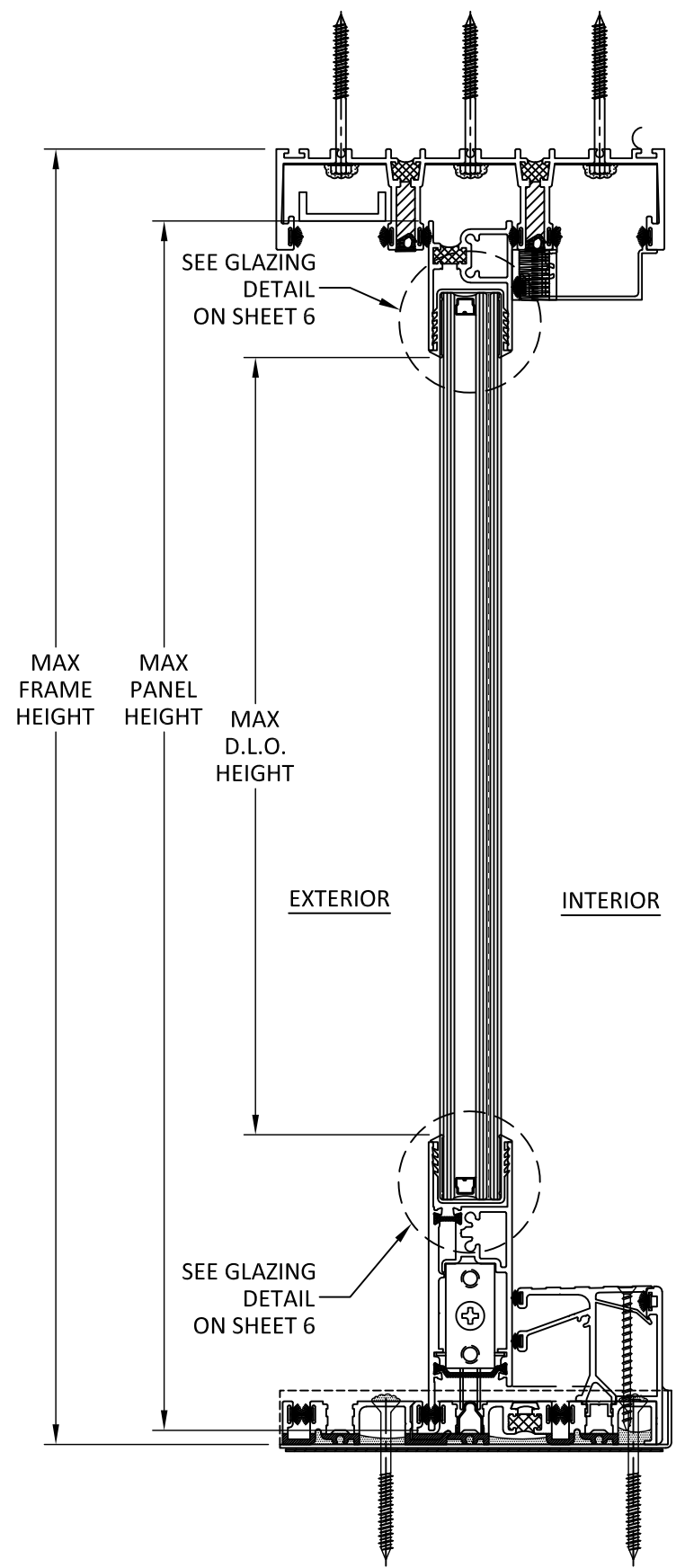
DWG. #: **ACWD012**

SHEET: **5**

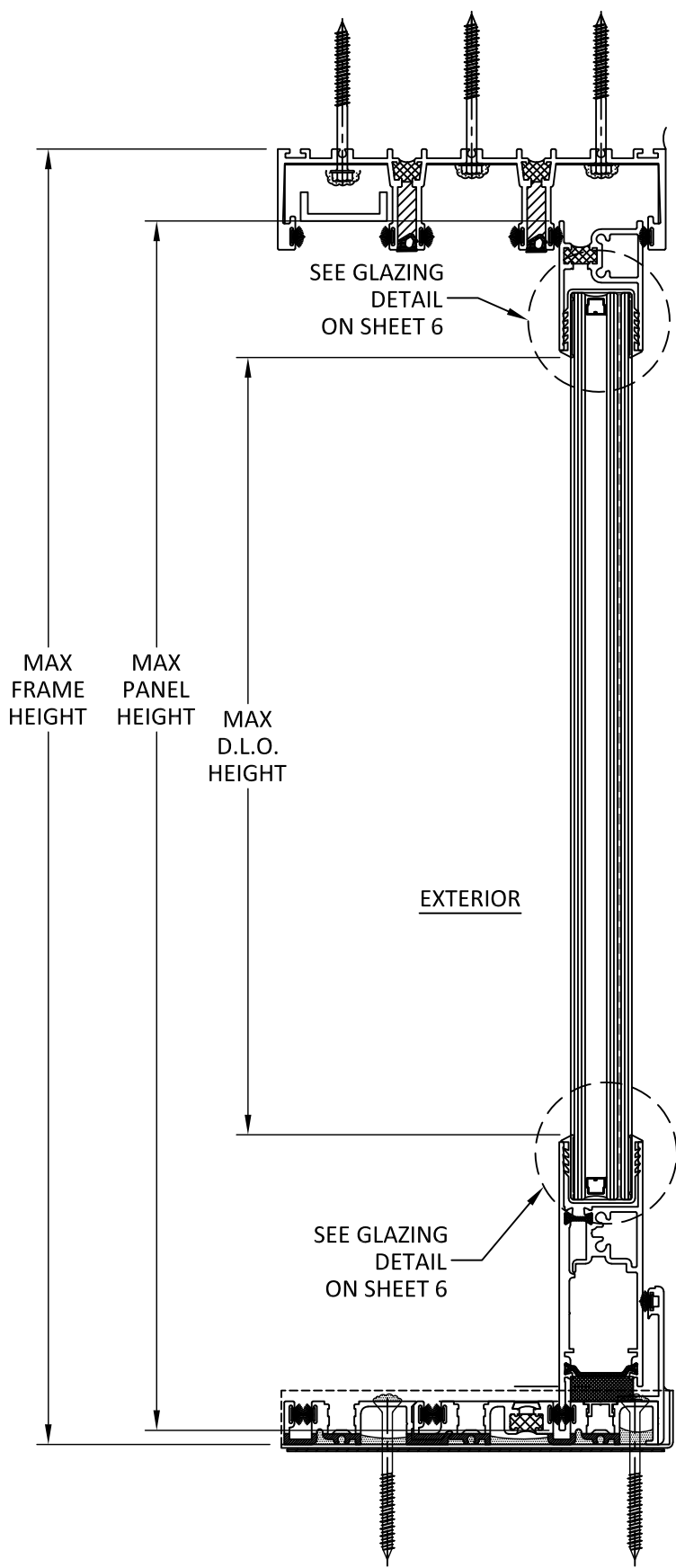
OF 7



**A**  
**5** **VERTICAL SECTION**  
SLIDING GLASS DOOR



**B**  
**5** **VERTICAL SECTION**  
SLIDING GLASS DOOR



**C**  
**5** **VERTICAL SECTION**  
SLIDING GLASS DOOR

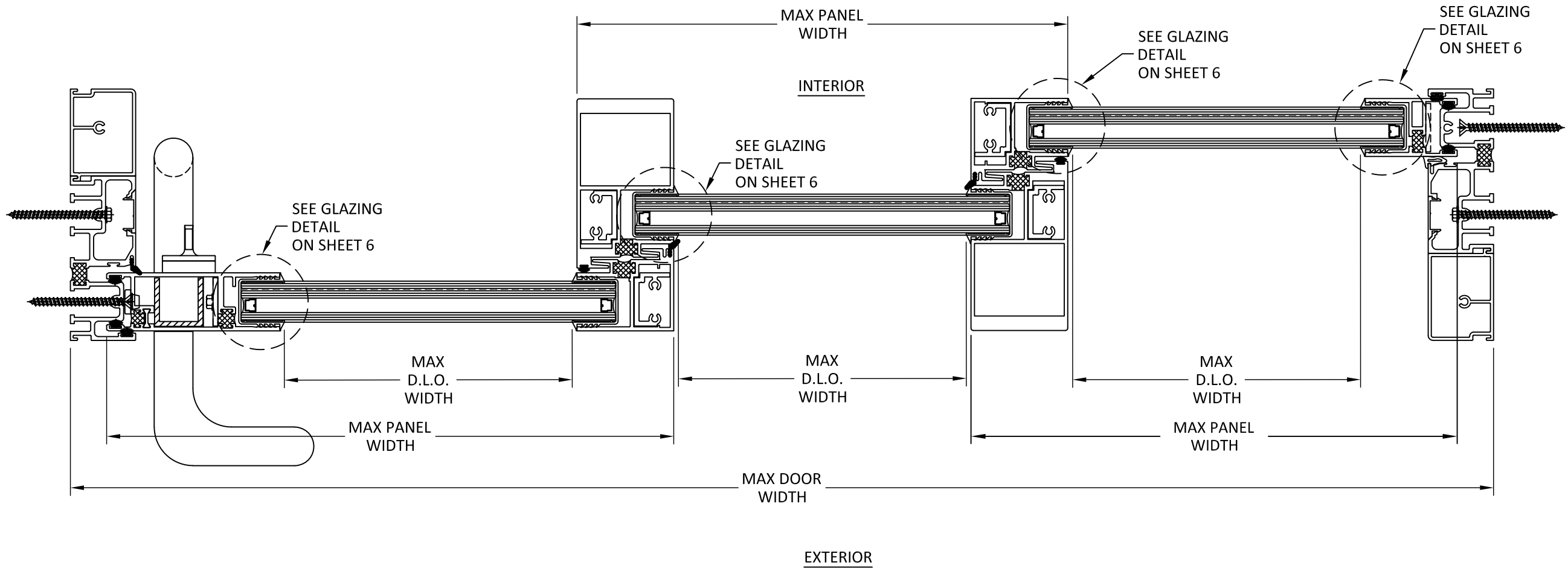
4/19/2021 2:38 PM

s:\projects\arcadia custom\fbce-21-0306 - fbc submittal - series 5520 aluminum sliding glass door.dwg\acwd012.dwg

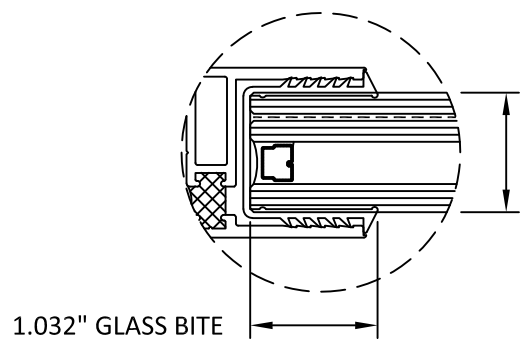


TITLE: **SERIES 5520 MULTI-SLIDE GLASS DOOR (WZ3) (IMPACT)**  
HORIZONTAL SECTIONS & GLAZING DETAIL

PREPARED BY: **BUILDING DROPS, INC.**  
398 E. DANIA BEACH BLVD., STE. 338  
DANIA BEACH, FL 33004  
PH: (954) 399-8478  
FAX: (954) 744-4738  
WEB: www.buildingdrops.com



**D**  
**6** **HORIZONTAL SECTION**  
SLIDING GLASS DOOR



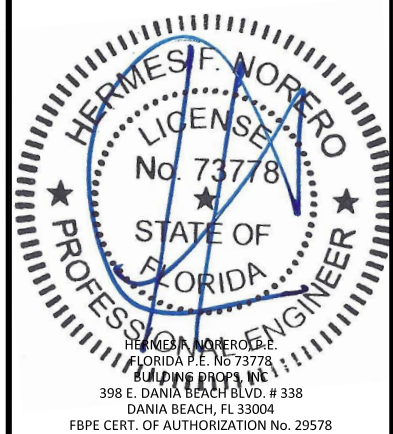
**GLAZING DETAIL**

1.06" O.A. INSULATED GLASS  
CONSISTING OF:  
3/16" HEAT STRENGTHENED GLASS  
0.060" SENTRYGLAS BY KURARAY,  
3/16" HEAT STRENGTHENED GLASS,  
3/8" ALUMINUM SPACER,  
1/4" TEMPERED GLASS

- GLAZING NOTES:**
- GLASS TYPE AND THICKNESS SHALL COMPLY WITH ASTM E1300 REQUIREMENTS AS WELL AS APPLICABLE SAFETY GLAZING REQUIREMENTS PER THE FBC. THICKNESS, TEMPER, AND SAFETY GLAZING REQUIREMENTS SHALL BE REVIEWED ON A SITE SPECIFIC BASIS.
  - SETTING BLOCK DUROMETER HARDNESS OF 70-90 (SHORE A) AS REFERENCED IN FBC CHAPTER 24.
  - SETTING BLOCKS TO BE LOCATED AT 1/4 SPAN LENGTH FOR GLASS WIDER THAN 36" AS PER FBC CHAPTER 24.
  - D.L.O. AND DESIGN PRESSURES MAY NOT EXCEED MAX VALUES IN GLASS CHARTS.

REMARKS	BY	DATE

THE INSTALLATION DETAILS DESCRIBED HERE IN ARE GENERIC AND MAY NOT REFLECT ACTUAL CONDITIONS FOR A SPECIFIC SITE. IF SITE CONDITIONS CAUSE INSTALLATION TO DEVIATE FROM THE REQUIREMENTS DETAILED HEREIN, A LICENSED ENGINEER OR ARCHITECT SHALL PREPARE SITE SPECIFIC DOCUMENTS FOR USE WITH THIS DOCUMENT.



**FL38489**

DATE: **04.07.21**

DWG. BY: **AC**      CHK. BY: **HFN**

SCALE: **NTS**

DWG. #: **ACWD012**

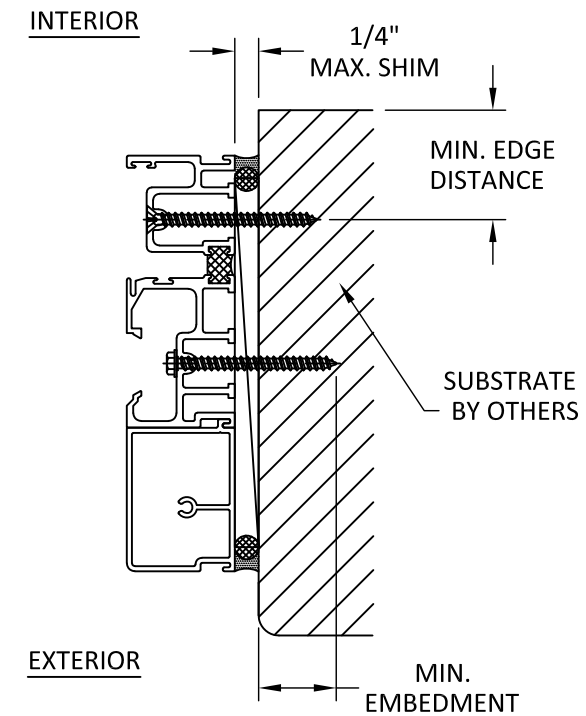
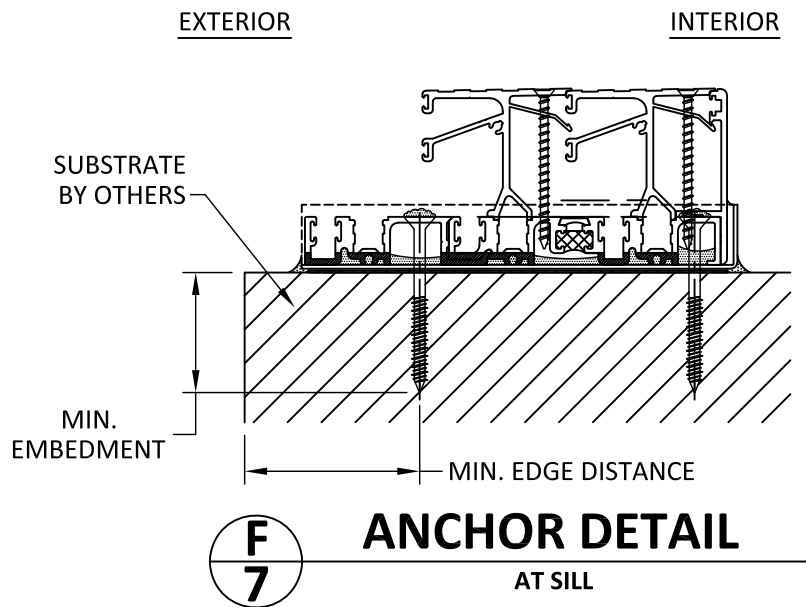
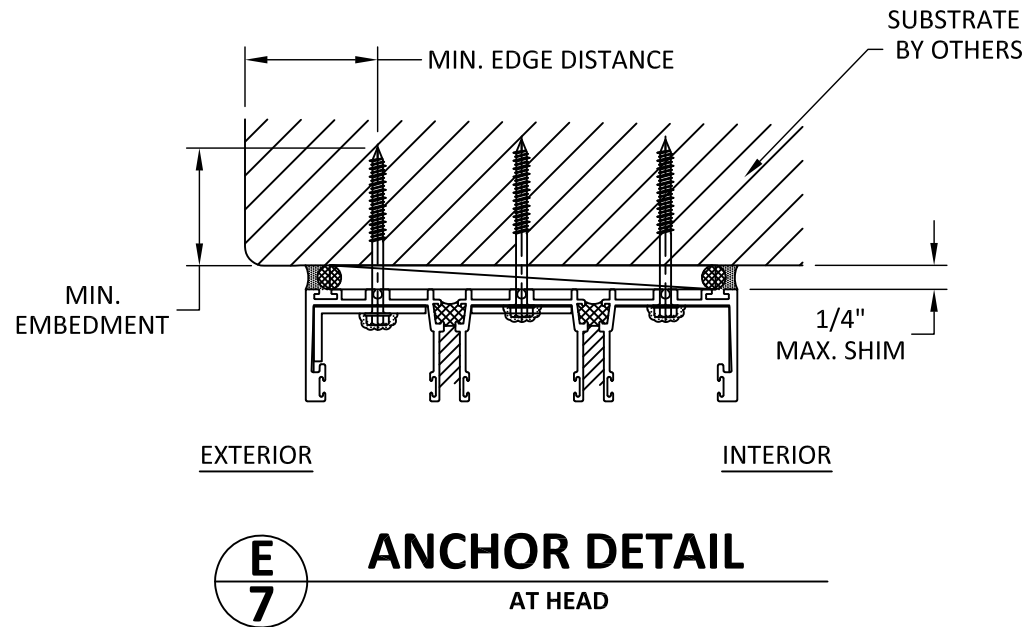
SHEET:

**6**

OF 7

TITLE: **SERIES 5520 MULTI-SLIDE GLASS DOOR (WZ3) (IMPACT)**  
INSTALLATION NOTES & ANCHOR DETAILS

PREPARED BY: **BUILDING DROPS, INC.**  
398 E. DANIA BEACH BLVD., STE. 338  
DANIA BEACH, FL 33004  
PH: (954) 399-8478  
FAX: (954) 744-4738  
WEB: www.buildingdrops.com



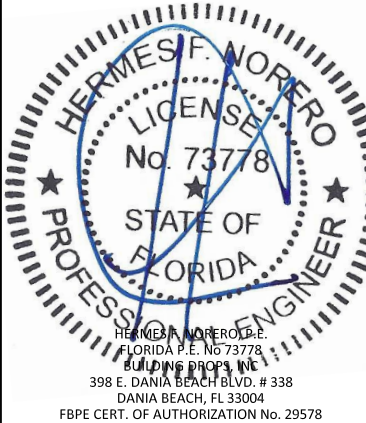
**INSTALLATION NOTES:**

- THREE (3) INSTALLATION ANCHOR IS REQUIRED AT EACH ANCHOR LOCATION ON HEAD SHOWN ON SHEET 3 UNLESS OTHERWISE SHOWN.
- TWO (2) INSTALLATION ANCHOR IS REQUIRED AT EACH ANCHOR LOCATION ON JAMB AND SILL SHOWN ON SHEET 3 UNLESS OTHERWISE SHOWN.
- THE NUMBER OF INSTALLATION ANCHORS DEPICTED IS THE MINIMUM NUMBER OF ANCHORS TO BE USED FOR PRODUCT INSTALLATION OF THE MAXIMUM SIZE LISTED.
- INSTALL INDIVIDUAL INSTALLATION ANCHORS WITHIN A TOLERANCE OF ±1/2 INCH THE DEPICTED LOCATION & SPACING IN THE ANCHOR LAYOUT DETAILS (I.E., WITHOUT CONSIDERATION OF TOLERANCES). TOLERANCES ARE NOT CUMULATIVE FROM ONE INSTALLATION ANCHOR TO THE NEXT.
- SHIM AS REQUIRED AT EACH INSTALLATION ANCHOR WITH LOAD BEARING SHIM(S). MAXIMUM ALLOWABLE SHIM STACK TO BE 1/4 INCH. SHIM WHERE SPACE OF 1/16 INCH OR GREATER OCCURS. SHIM(S) SHALL BE CONSTRUCTED OF HIGH DENSITY PLASTIC OR BETTER.
- MINIMUM EMBEDMENT AND EDGE DISTANCE EXCLUDE WALL FINISHES, INCLUDING BUT NOT LIMITED TO STUCCO, FOAM, BRICK VENEER, AND SIDING.
- INSTALLATION ANCHORS AND ASSOCIATED HARDWARE MUST BE MADE OF CORROSION RESISTANT MATERIAL OR HAVE A CORROSION RESISTANT COATING.
- FOR HOLLOW BLOCK AND GROUT FILLED BLOCK, DO NOT INSTALL INSTALLATION ANCHORS INTO MORTAR JOINTS. EDGE DISTANCE IS MEASURED FROM FREE EDGE OF BLOCK OR EDGE OF MORTAR JOINT INTO FACE SHELL OF BLOCK.
- INSTALLATION ANCHORS SHALL BE INSTALLED IN ACCORDANCE WITH ANCHOR MANUFACTURER'S INSTALLATION INSTRUCTIONS, AND ANCHORS SHALL NOT BE USED IN SUBSTRATES WITH STRENGTHS LESS THAN THE MINIMUM STRENGTH SPECIFIED BY THE ANCHOR MANUFACTURER.

ANCHOR SCHEDULE					
METHOD	SUBSTRATE	ANCHOR SCHEDULE	MIN EMBEDMENT	MIN. EDGE DISTANCE	MIN. SPACING
THROUGH FRAME	WOOD: MIN. SG = 0.55	#12 WOOD SCREW	1.5"	0.75"	N/A
	METAL: 18 GAUGE Steel, MIN. Fy = 33KSI	#10 TEK SCREW	3 THREADS MIN PENETRATION BEYOND METAL	0.50"	N/A
	CONCRETE: MIN. f <sub>c</sub> = 3000 PSI	1/4" ITW TAPCON FLATHEAD	1.25"	2.0"	3.0"
	MASONRY: CMU MIN. 2000 PSI	1/4" ITW TAPCON FLATHEAD	1.00"	2.0"	3.0"

REMARKS	BY	DATE

THE INSTALLATION DETAILS DESCRIBED HERE IN ARE GENERIC AND MAY NOT REFLECT ACTUAL CONDITIONS FOR A SPECIFIC SITE. IF SITE CONDITIONS CAUSE INSTALLATION TO DEVIATE FROM THE REQUIREMENTS DETAILED HEREIN, A LICENSED ENGINEER OR ARCHITECT SHALL PREPARE SITE SPECIFIC DOCUMENTS FOR USE WITH THIS DOCUMENT.



**FL38489**

DATE: **04.07.21**  
DWG. BY: **AC** CHK. BY: **HFN**  
SCALE: **NTS**  
DWG. #: **ACWD012**  
SHEET:

4/19/2021 2:38 PM s:\projects\arcadia custom\fbc-21-0306 - fbc submittal - series 5520 aluminum sliding glass door.dwg\acwd012.dwg